



FOOD EQUIPMENT

SERVING THE FOOD INDUSTRY SINCE 1951

66 LBS / 30 KG POTATO PEELER WITH MICROSWITCH AND FLOOR WATER DISCHARGE

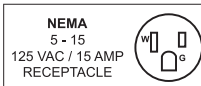
Items: 47055 | Model: PP-IT-0030

SAVE TIME IN BUSY KITCHENS WITH OMCAN'S POTATO PEELER

Omcans Potato Peeler is ideally suited for restaurants, busy kitchens, and hotels. Designed to handle 66lbs of potatoes, and made from AISI 304 stainless steel. Features include: a safety micro switch, floor water discharge, and a stainless steel cover. It also has a digital and user-friendly control panel which makes this professional equipment safe and easy to use.



WARRANTY
PARTS AND LABOR



Authorized Dealer

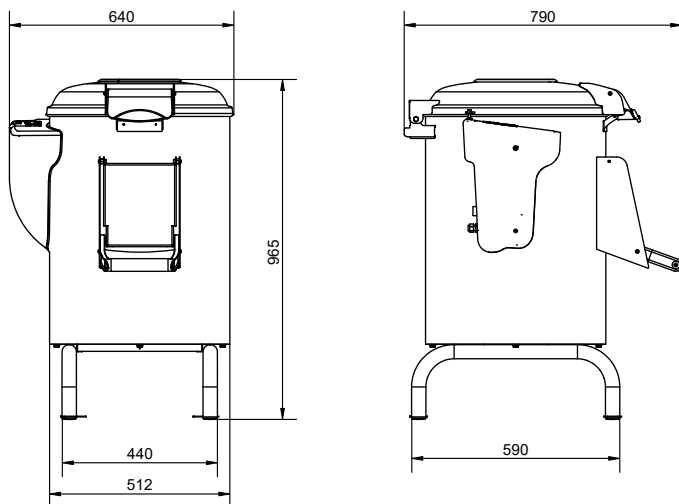
TECHNICAL SPECIFICATIONS

Item	47055
Model	PP-IT-0030
Power	1.2 HP 0.9 kW
Electrical	220V / 60Hz / 1 Ph
Capacity	66.1 lbs 30 kg
Working Capacity	700 potatoes/hour
Lower Discharge Manifold	ø 1.6" ø 40 mm
Side Discharge Manifold	ø 2" ø 50 mm
Peeling Cycle	120 - 150 seconds
Water Temperature	5 - 20°C 41 - 68°F
RPM	240 RPM
Flexible Pipe Feeding	3/4" 19 mm
Weight	132.3 lbs 60 kg
Gross Weight	149.9 lbs 68 kg
Dimensions	21.7" x 31.5" x 35.4" 550 x 800 x 900 mm
Gross Dimensions	26.4" x 23.2" x 44.1" 670 x 590 x 1120 mm

*Refuse bin/drawer not included.



TECHNICAL DRAWINGS & DIMENSIONS



*measurements in diagrams are in mm

FEATURES:

- Made from AISI 304 stainless steel, with electric part covered by safety ergonomic plastic case
- Ventilated asynchronous Italian make motor
- Belt transmission
- Abrasives designed to enable the user to operate, clean and maintain with the minimum of effort
- Water jets valve
- Safety micro-switch working on the cover and chute
- Water filter drawer for standard and high stand
- Digital and user-friendly control panel
- Electrical parts covered by safety ergonomic plastic case
- Multifunction digital timer
- Button for manual product discharge
- Wall or floor discharge outlet

OMCAN INC.

Telephone: 1-800-465-0234
 Fax: (905) 607-0234
 Email: sales@omcan.com
 Website: www.omcan.com



Follow us to keep up to date with the latest news and offers

